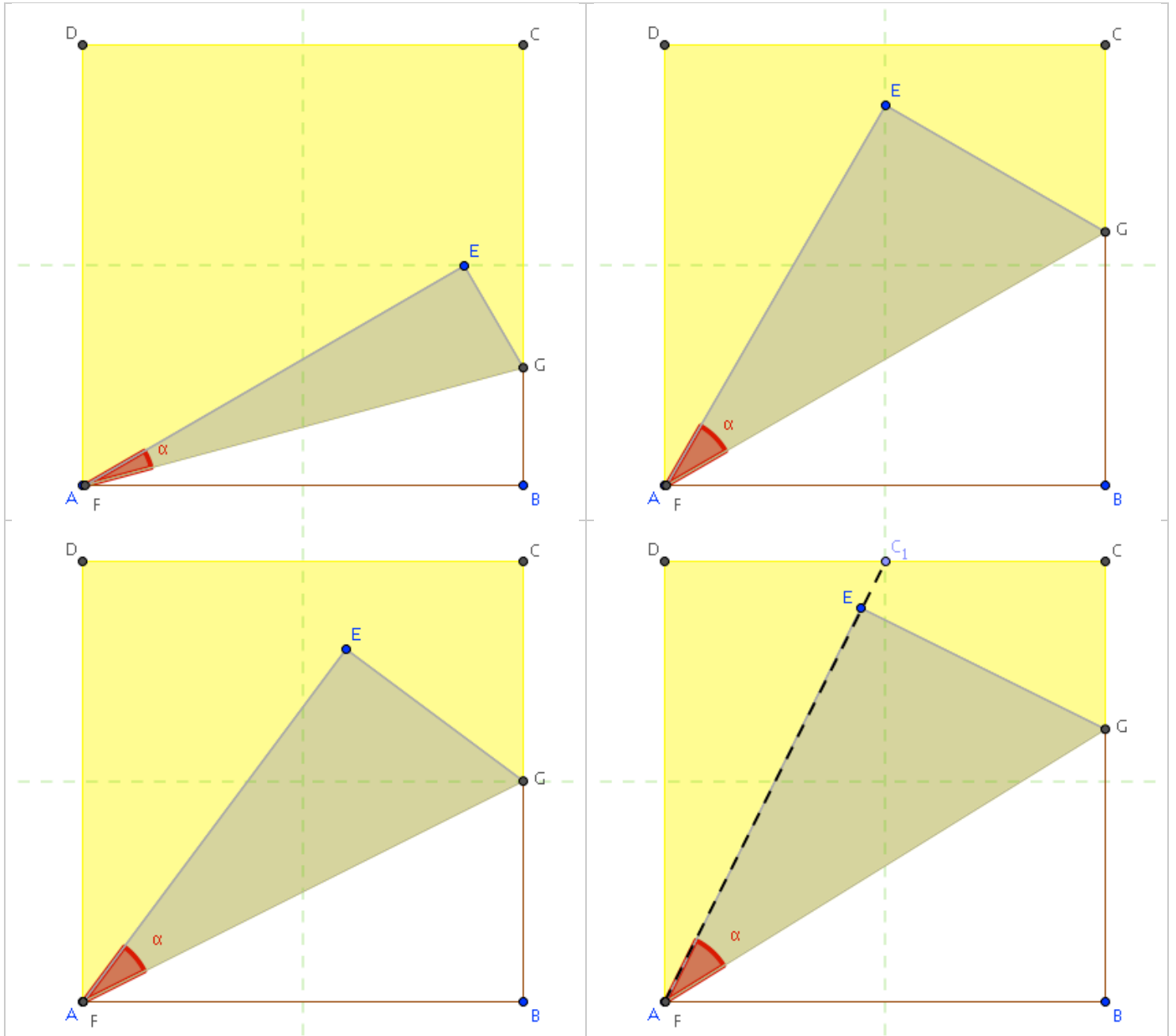
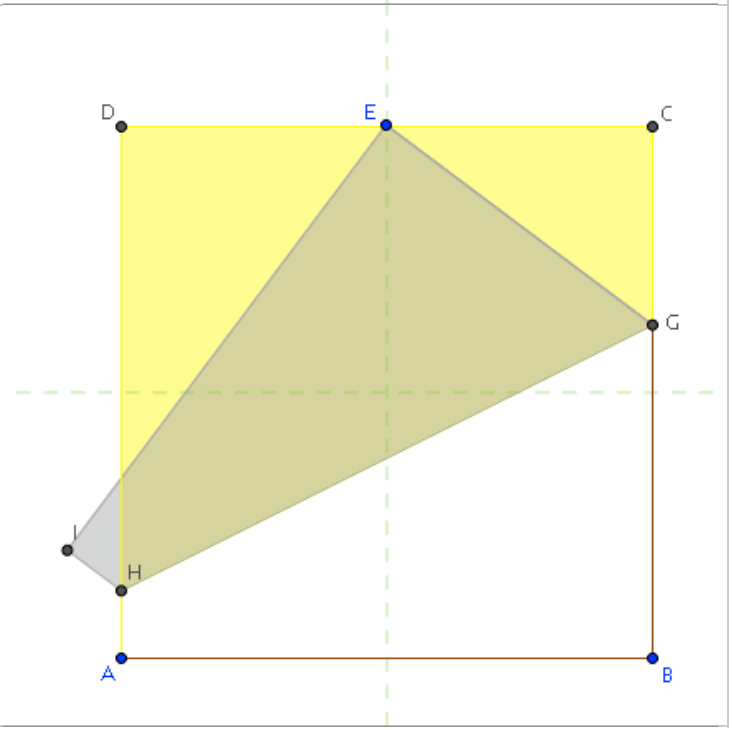
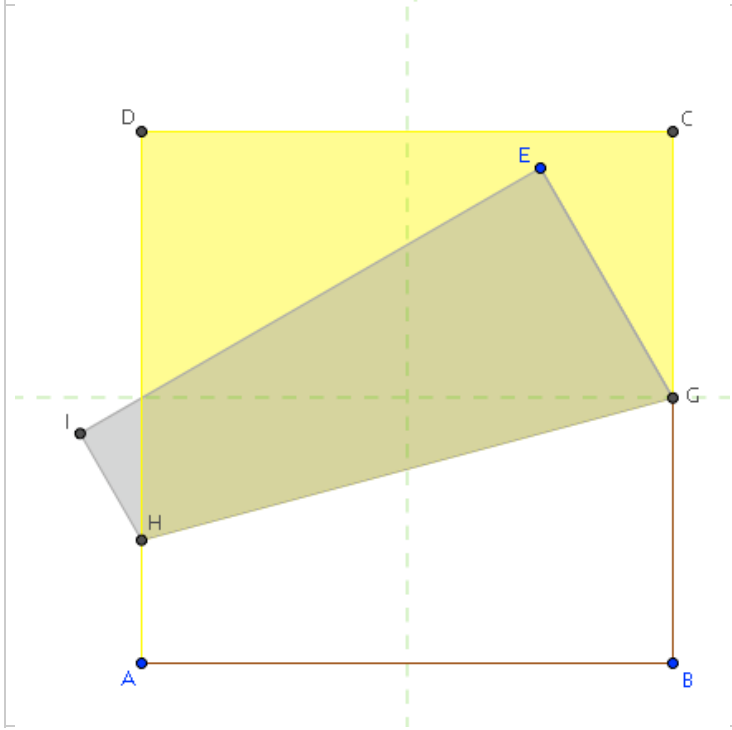
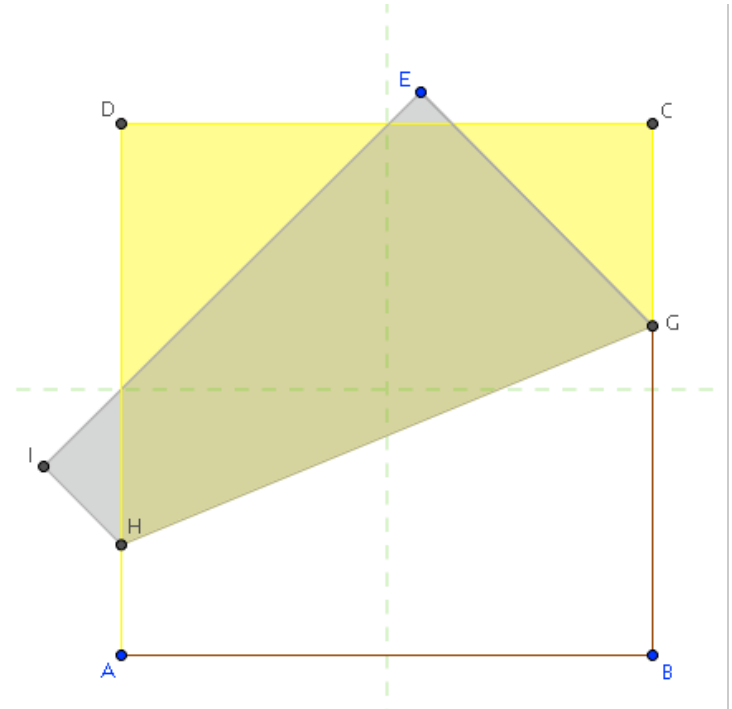
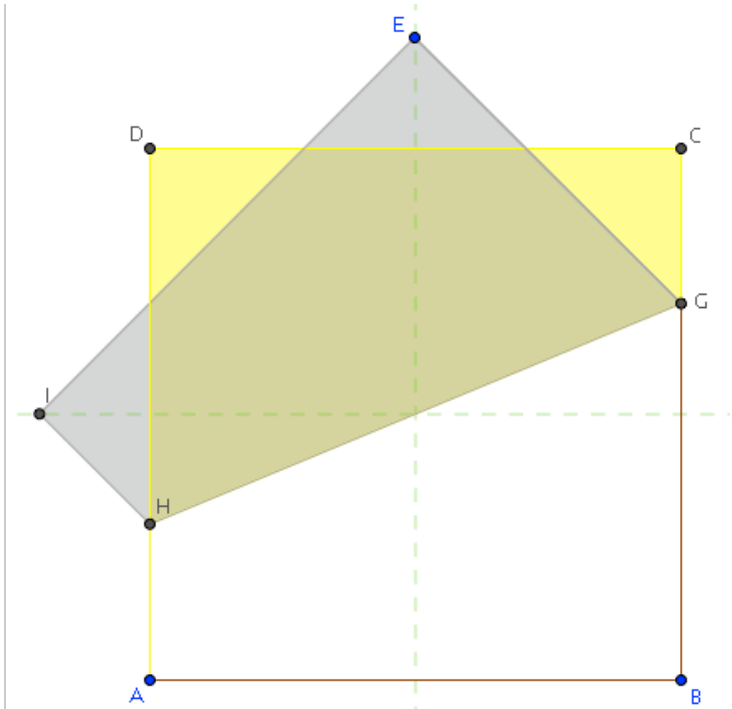


## Folding a square paper

These diagrams show different ways of folding a corner of a square. The dotted lines pass through midpoints of sides of the square.

What do you know about the marked angles and triangles created in the diagrams?





Click this link for an applet of paper folding:  
<http://web.hku.hk/~amslee/mathbook/attachments/O60424a.html>